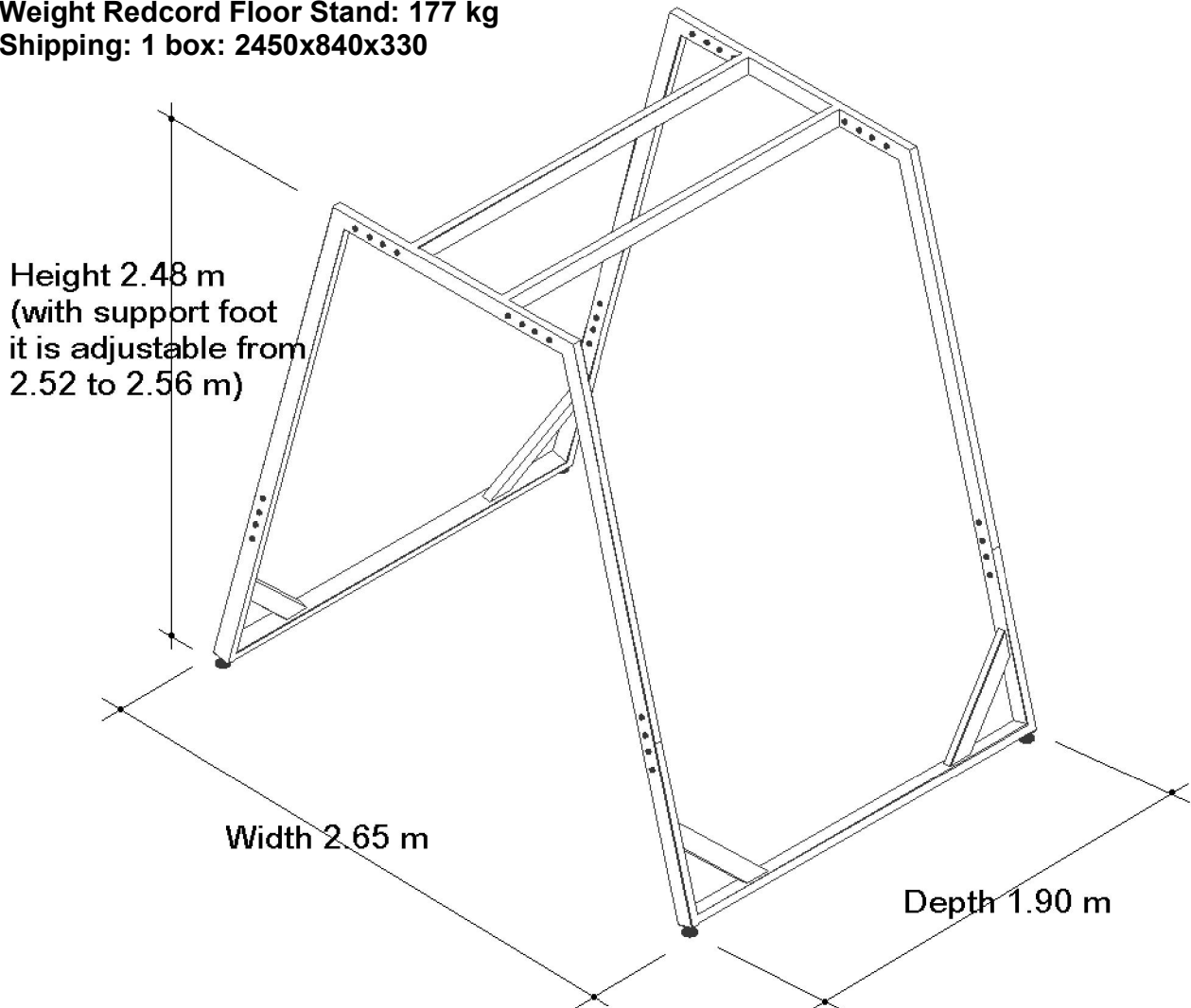


2. Technical information

Floor Stand Only



Maximum load 200 kg
Weight Redcord Floor Stand: 177 kg
Shipping: 1 box: 2450x840x330



NOTE: Two people are required for assembly.



Redcord Floor Stand and Redcord Sliding Suspension System are made in conformity with essential requirements concerning medical equipment (class I, rule 1) and are marked with CE mark, as per manufacturer's declaration.

IMPORTANT:

Redcord and AOK take no responsibility for any personal or physical damages that might arise due to incorrect installation and/or incorrect use of Redcord equipment. Redcord does not recommend using the SSS for purposes other than supervised treatment. Sport activities and heavy exercises may increase the risk of damaging the equipment and/or the user for which Redcord or AOK will not be held accountable.